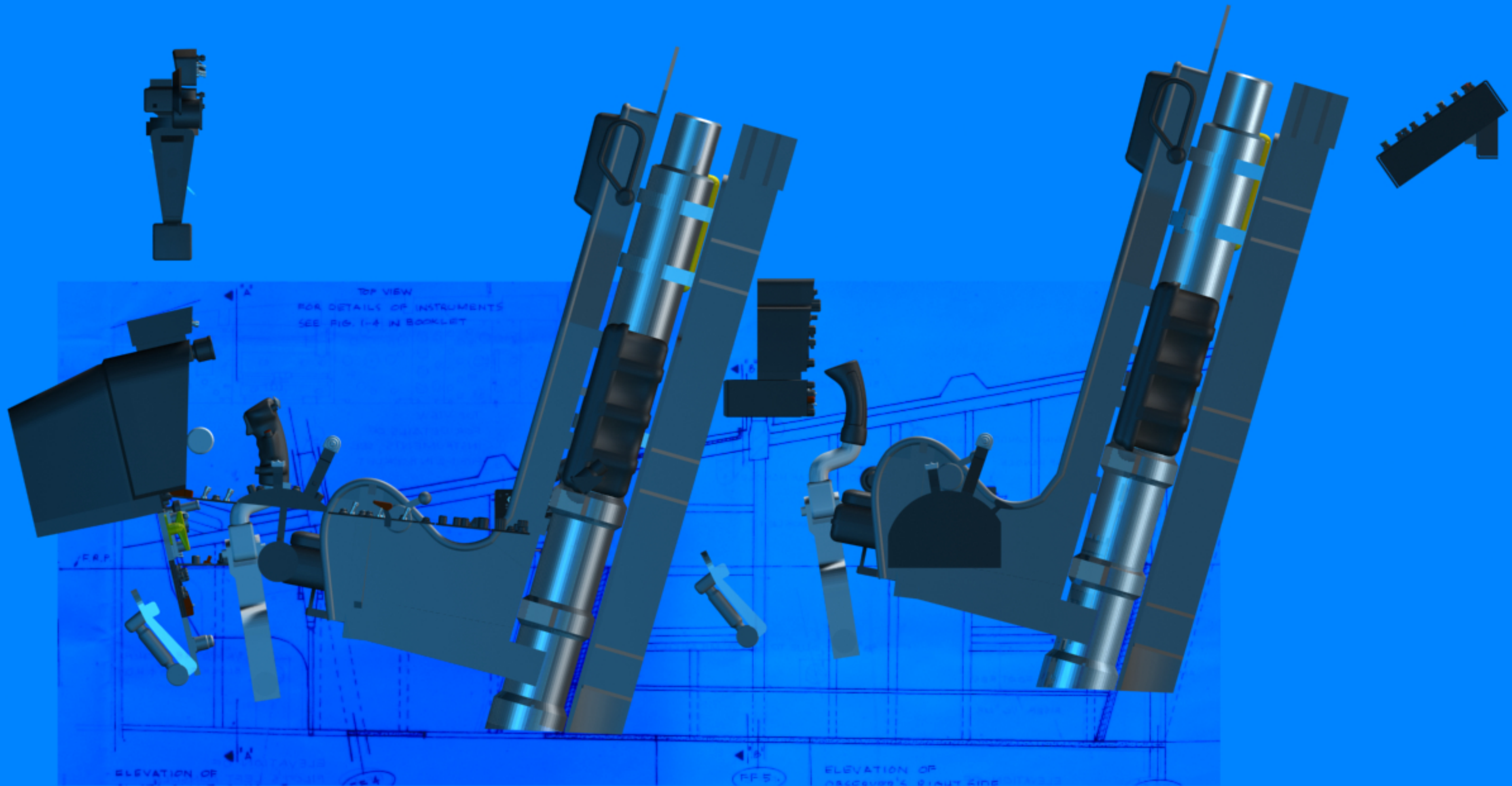


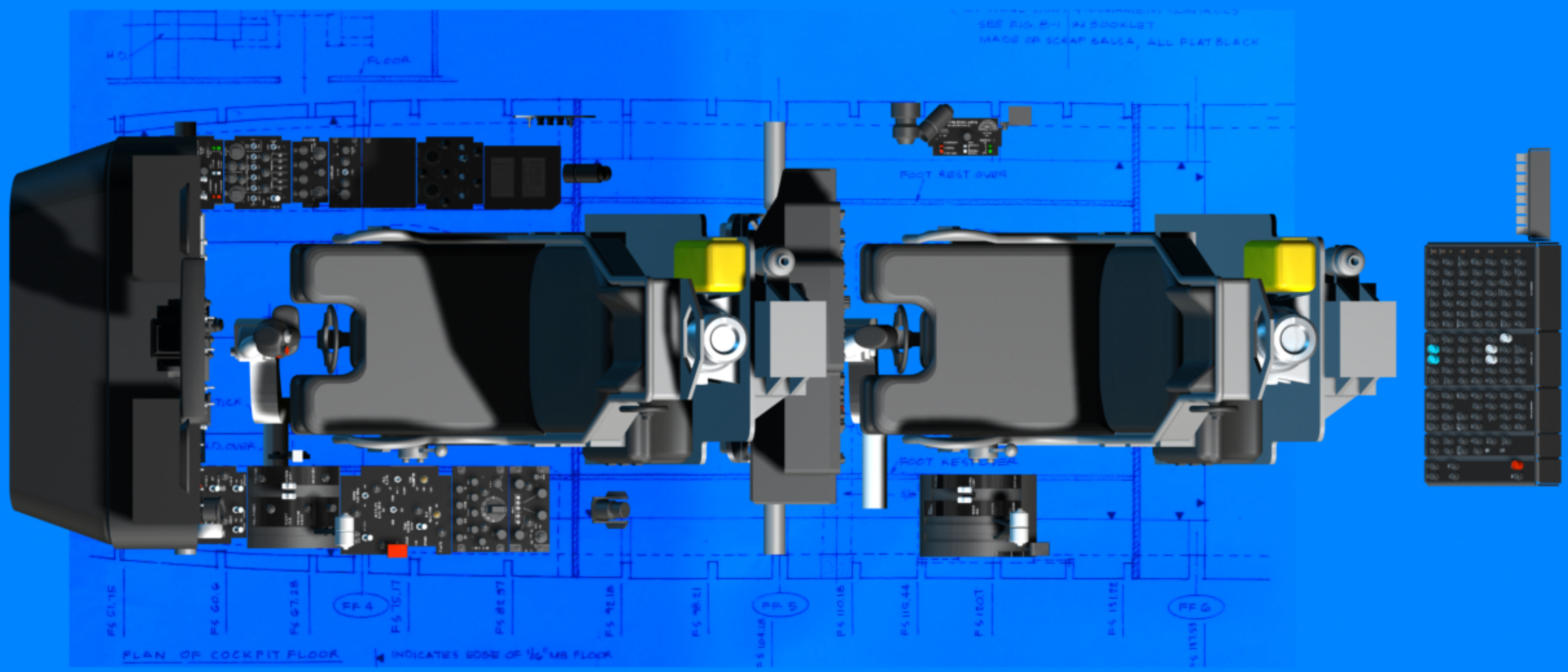
ELEVATION OF

PP 5

PP 4

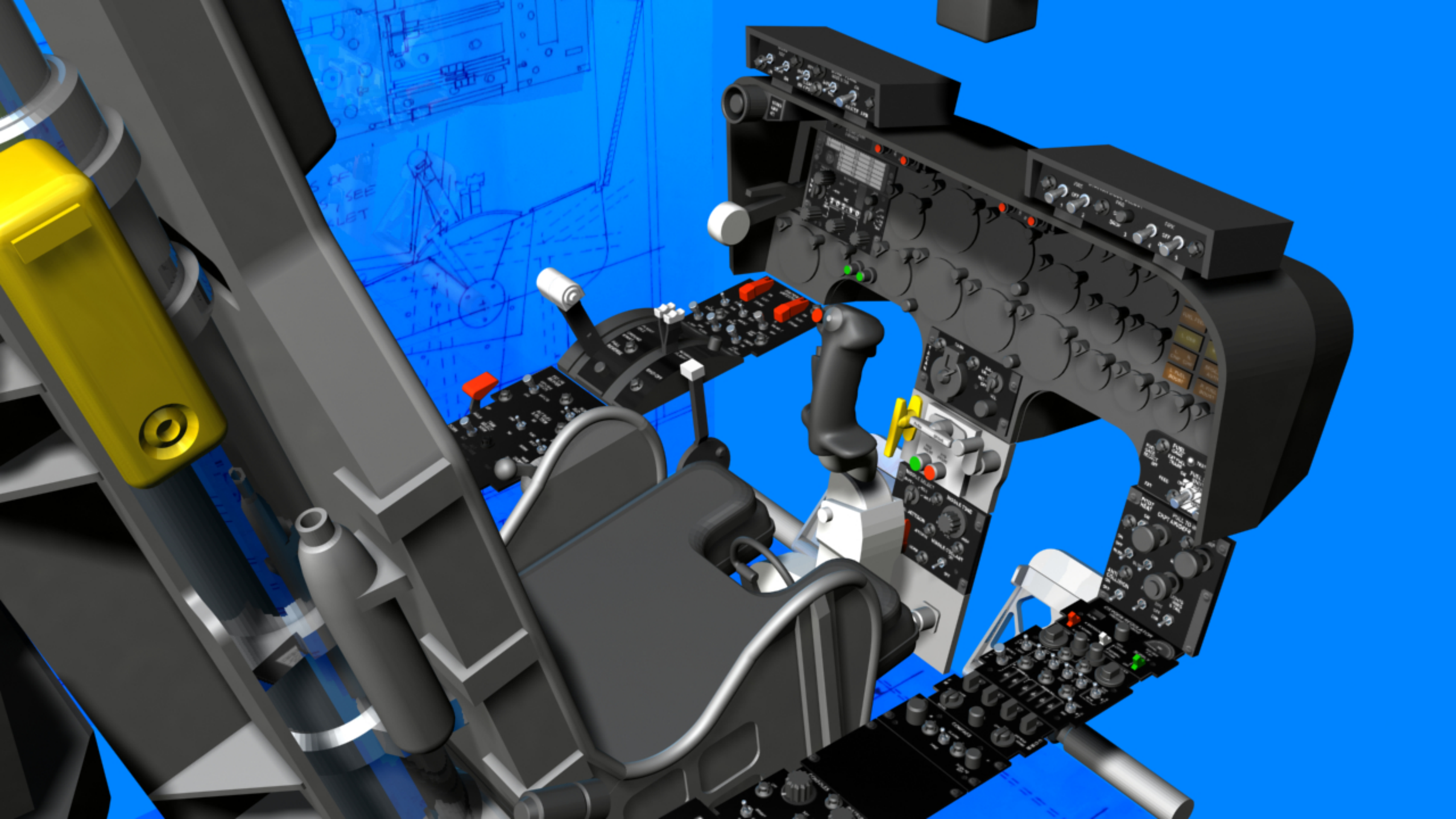
ELEVATION OF PILOT'S LEFT CONSOLE

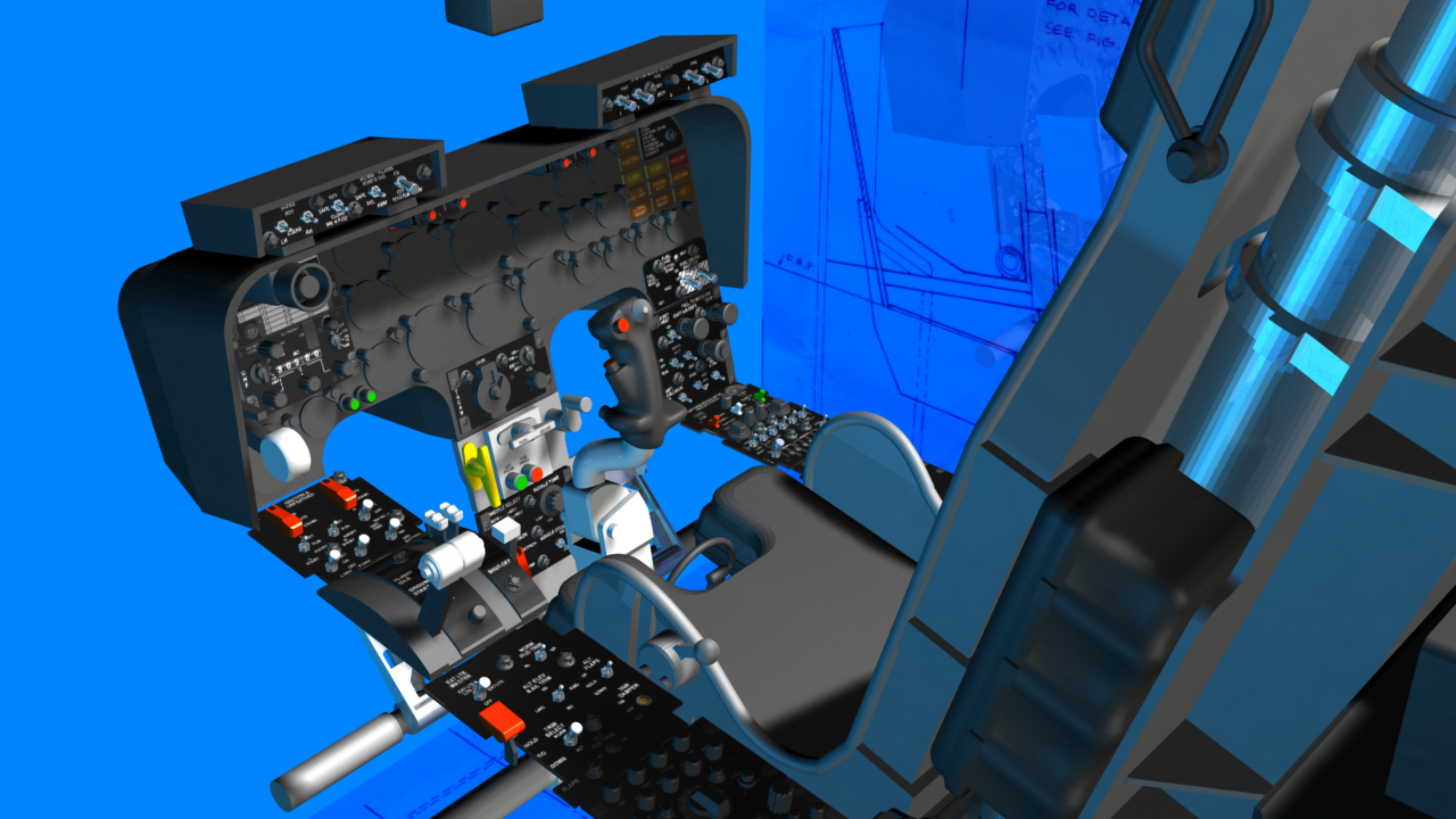


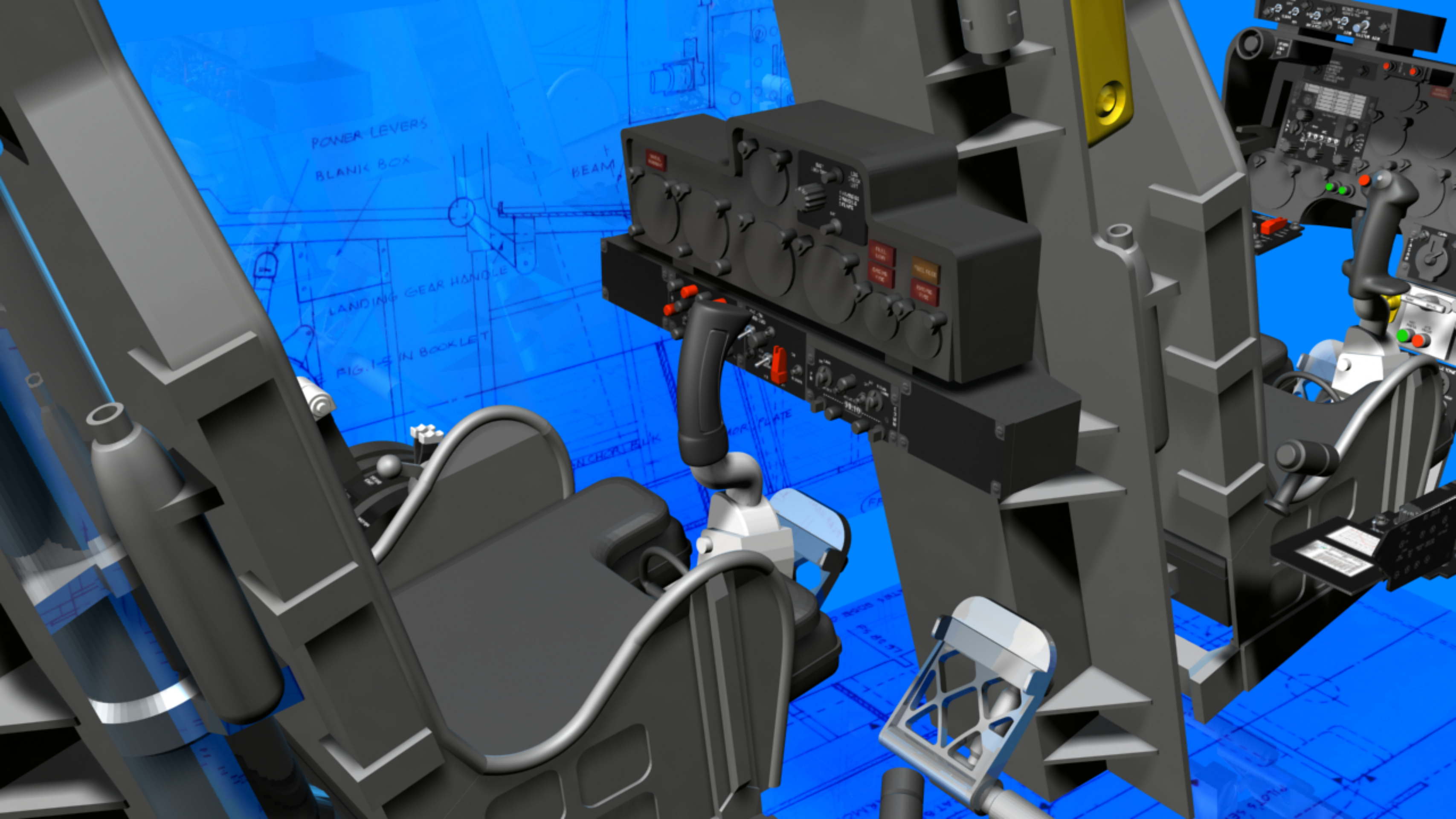












POWER LEVERS

BLANK BOX

BEAM

LANDING GEAR HANDLE

FIG. 14 IN BOOKLET

TOR PLATE

TOR PLATE

